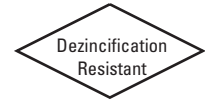


# Class 200 Bronze Gate Valves

Block Pattern • Union Bonnet • Rising Stem • Alloy Solid Wedge • Integral Seat



**200 PSI/13.8 bar saturated steam to 391° F/201° C**  
**400 PSI/27.6 bar non-shock cold working pressure**

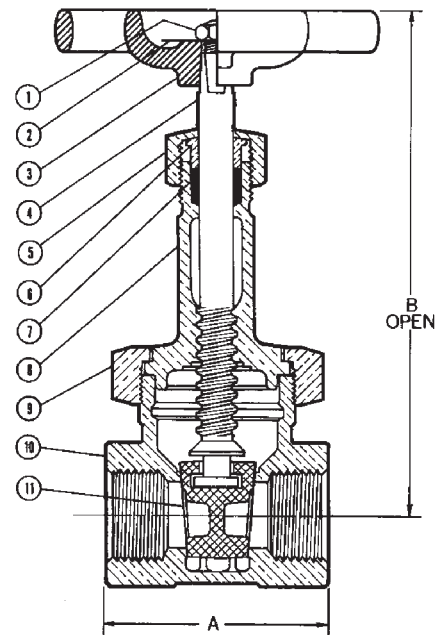
CONFORMS TO MSS SP-80

## MATERIAL LIST

PART	SPECIFICATION
1. Handwheel Nut	300 Series Stainless Steel
2. Identification Plate	Aluminum
3. Handwheel	Malleable Iron ASTM A 47
4. Stem	Silicon Bronze ASTM B 371 Alloy C69400/C69430 or ASTM B 99 Alloy C65100
5. Packing Nut	Bronze ASTM B 62 or ASTM B124 Alloy C37700 or Brass ASTM B16
6. Packing Gland	Bronze ASTM B 62 or ASTM B584 Brass ASTM B16 C36000
7. Packing	Aramid Fibers with Graphite
8. Bonnet	Bronze ASTM B 61
9. Union Nut	Bronze ASTM B 61
10. Body	Bronze ASTM B 61
11. Wedge	ASTM B584 Alloy C97600



**T-154-A**  
Threaded



**T-154-A**  
NPT x NPT  
with Integral Seats

## DIMENSIONS—WEIGHTS—QUANTITIES

Size	Dimensions				Weight		Master Ctn. Qty.
	In.	mm.	In.	mm.	Lbs.	Kg.	
¼	8	1.88	48	4.81	1.15	0.52	50
⅜	10	2.06	52	4.81	1.14	0.52	50
½	15	2.31	59	5.38	1.49	0.68	40
¾	20	2.44	62	6.31	2.23	1.01	30
1	25	2.88	73	7.56	3.37	1.53	20
1¼	32	3.13	83	8.88	4.76	2.16	10
1½	40	3.38	86	10.25	6.32	2.87	10
2	50	3.88	99	12.50	10.96	4.97	6

**FREEZING WEATHER PRECAUTION:** Subsequent to testing a piping system, valves should be left in an open position to allow complete drainage.

◆ For detailed Operating Pressure, refer to Pressure Temperature Chart on page 116.

**WARNING:** This product can expose you to chemicals including lead, which is known to the State of California to cause cancer and birth defects or other reproductive harm. For more information go to [www.P65Warnings.ca.gov](http://www.P65Warnings.ca.gov).

Visit our website for the most current information.